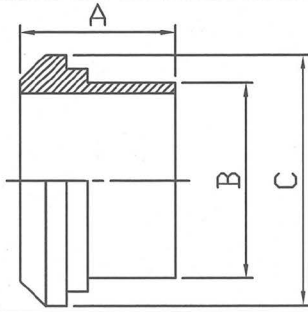


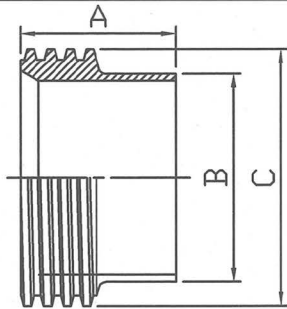
3A-14A 焊無牙接頭 (長)



Long Weld LINER Plain (3A Bevel Seat) mm

SIZE	A	B	C
1"	34.9	25.5	33.4
1 1/2"	38.1	38.2	46.9
2"	38.1	50.9	60.5
2 1/2"	44.5	63.6	74.0
3"	44.5	76.3	87.5
4"	44.5	101.7	114.3

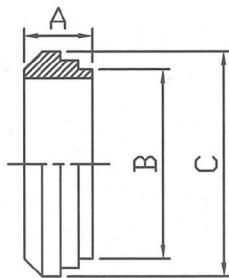
3A-15A 焊外牙接頭 (長)



Long Weld MALE Threaded (3A Bevel Seat) mm

SIZE	A	B	C
1"	34.9	25.5	37.13
1 1/2"	38.1	38.2	50.65
2"	38.1	50.9	64.16
2 1/2"	44.5	63.6	77.67
3"	44.5	76.3	91.19
4"	44.5	101.7	119.25

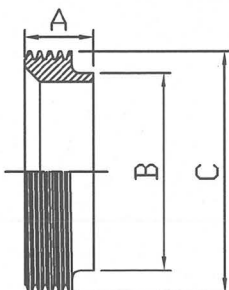
3A-14PRF 焊無牙接頭 (短)



Short Weld LINER Plain (3A Bevel Seat) mm

SIZE	A	B	C
1"	17.5	25.5	33.4
1 1/2"	17.5	38.2	46.9
2"	18.2	50.9	60.4
2 1/2"	21.4	63.6	74.0
3"	23.8	76.3	87.5
4"	25.4	101.7	114.3

3A-15TRF 焊外牙接頭 (短)



Short Weld MALE Threaded (3A Bevel Seat)mm

SIZE	A	B	C
1"	17.5	25.5	37.13
1 1/2"	17.5	38.2	50.65
2"	18.2	50.9	64.16
2 1/2"	21.4	63.6	77.67
3"	23.8	76.3	91.19
4"	25.4	101.7	119.25