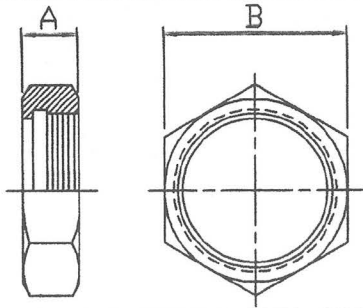


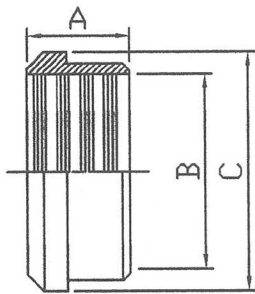
3A-13H 六角螺母(母牙/內牙)



HEX NUT (3A Bevel Seat) mm

SIZE	A	B
1"	23.0	46.0
1 1/2"	24.6	61.1
2"	27.0	76.2
2 1/2"	30.2	91.3
3"	32.5	106.5
4"	38.1	137.7

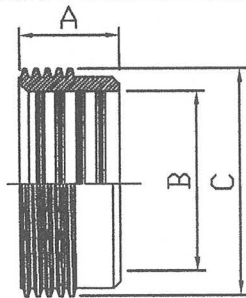
3A-14R 擴管無牙接頭 (紋接頭)



LINER for EXPANDING (3A Bevel Seat) mm

SIZE	A	B	C
1"	19.1	25.5	33.4
1 1/2"	25.4	38.2	46.9
2"	25.4	50.9	60.5
2 1/2"	25.4	63.6	74.0
3"	25.4	76.3	87.5
4"	25.4	101.7	114.3

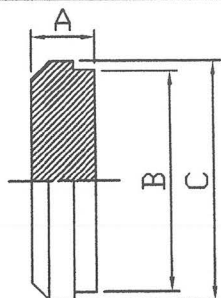
3A-15R 擴管外牙接頭 (紋牙口)



MALE for EXPANDING (3A Bevel Seat) mm

SIZE	A	B	C
1"	20.6	25.5	37.13
1 1/2"	25.4	38.2	50.65
2"	28.6	50.9	64.16
2 1/2"	28.6	63.6	77.67
3"	28.6	76.3	91.19
4"	28.6	101.7	119.25

3A-16A Bevel Seat盲蓋



Blank Cap (3A Bevel Seat) mm

SIZE	A	B	C
1"	11.9	29.5	33.4
1 1/2"	14.3	42.6	46.9
2"	15.9	55.7	60.5
2 1/2"	16.7	68.8	74.0
3"	18.3	81.9	87.5
4"	20.6	108.1	114.3