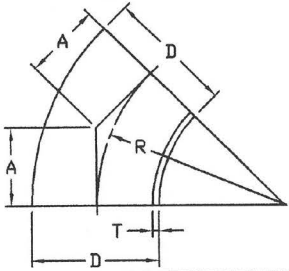
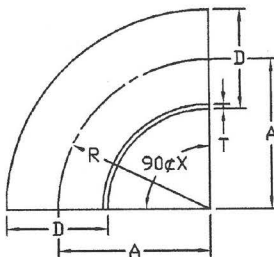
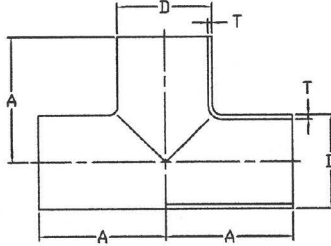
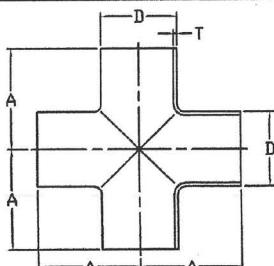


IDF 焊彎 45° T-5	IDF WELD ELBOW 45°				mm
	SIZE	A	D	T (thickness)	R
	1"	15.8	25.4	1.2	38.1
	1 1/2"	23.8	38.1	1.2	57.2
	2"	31.6	50.8	1.5	76.2
	2 1/2"	42	63.5	2.0	101.6
	3"	52.6	76.3	2.0	127
	4"	73.6	101.6	2.0	177.8

IDF 焊彎 90° D-1	IDF WELD ELBOW 90°				mm
	SIZE	A	D	T (thickness)	R
	1"	34	25.4	1.2	33
	1 1/2"	49	38.1	1.2	45.5
	2"	61	50.8	1.5	57.5
	2 1/2"	84	63.5	2.0	75
	3"	89	76.3	2.0	75
	3 1/2"	103.5	89.1	2.0	103.5
	4"	133.4	101.6	2.0	133.4

IDF 焊三通 D-8	IDF WELD TEE			mm
	SIZE	A	D	T (thickness)
	1"	34	25.4	1.2
	1 1/4"	34	31.8	1.2
	1 1/2"	49	38.1	1.2
	2"	61	50.8	1.5
	2 1/2"	84	63.5	2.0
	3"	89	76.3	2.0
	3 1/2"	103.5	89.1	2.0
	4"	133.4	101.6	2.0

IDF 焊十字通	IDF WELD CROSS			mm
	SIZE	A	D	T (thickness)
	1"	34	25.4	1.2
	1 1/4"	34	31.8	1.2
	1 1/2"	49	38.1	1.2
	2"	61	50.8	1.5
	2 1/2"	84	63.5	2.0
	3"	89	76.3	2.0
	3 1/2"	103.5	89.1	2.0
	4"	133.4	101.6	2.0