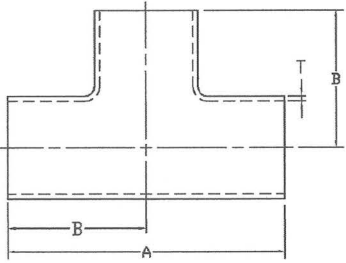
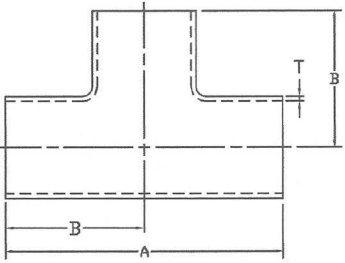
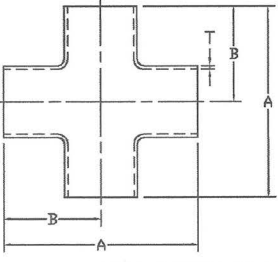
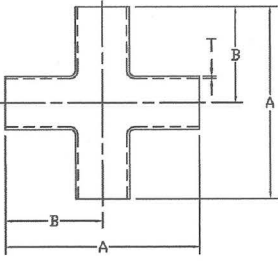


3A-7WWW 短焊三通	WELD TEE SHORT				mm
	SIZE	T (thickness)	B	A	OD
	1/2"	1.65	38.1	76.2	12.7
	3/4"	1.65	25.4	50.8	19.05
	1"	1.65	28.6	57.2	25.4
	1 1/2"	1.65	42.1	84.2	38.1
	2"	1.65	52.4	104.8	50.8
	2 1/2"	1.65	59.5	119.0	63.5
	3"	1.65	65.9	131.8	76.2
	4"	2.11	87.35	174.7	101.6

3A-7W 長焊三通	WELD TEE LONG				mm
	SIZE	T (thickness)	B	A	OD
	1"	1.65	47.6	95.2	25.4
	1 1/2"	1.65	57.2	114.4	38.1
	2"	1.65	76.2	152.4	50.8
	2 1/2"	1.65	76.2	152.4	63.5
	3"	1.65	82.6	165.2	76.2
	4"	2.11	98.4	196.8	101.6

3A-9WWW 短焊十字通	WELD CROSS SHORT				mm
	SIZE	T (thickness)	B	A	OD
	1"	1.65	28.6	57.2	25.4
	1 1/2"	1.65	42.1	84.2	38.1
	2"	1.65	52.4	104.8	50.8
	2 1/2"	1.65	59.5	119.0	63.5
	3"	1.65	65.9	131.8	76.2
	4"	2.11	87.35	174.7	101.6

3A-9W 長焊十字通	WELD CROSS LONG				mm
	SIZE	T (thickness)	B	A	OD
	1"	1.65	47.6	95.2	25.4
	1 1/2"	1.65	57.2	114.4	38.1
	2"	1.65	76.2	152.4	50.8
	2 1/2"	1.65	76.2	152.4	63.5
	3"	1.65	82.6	165.2	76.2
	4"	2.11	98.4	196.8	101.6