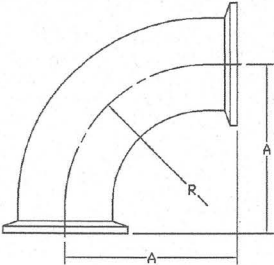
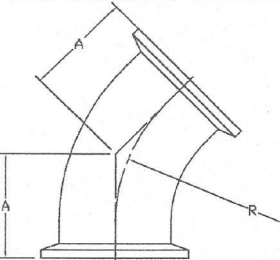
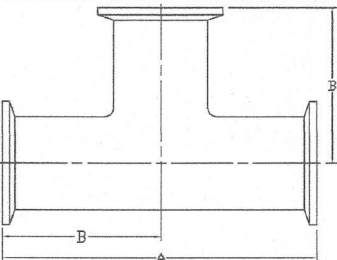
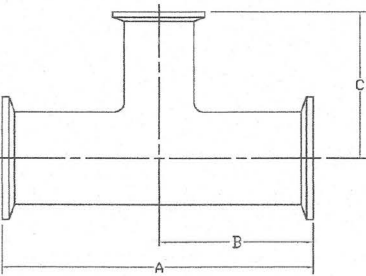


3A-2CMP 90度夾彎	CLAMP ELBOW 90°				mm
	SIZE	A	R		
	1/2"	38.1	25.4		
	3/4"	41.3	28.6		
	1"	50.8	38.1		
	1 1/2"	69.9	57.2		
	2"	88.9	76.2		
	2 1/2"	108.0	95.25		
	3"	127.0	114.3		
	4"	168.3	152.4		

3A-2KMP 45度夾彎	CLAMP ELBOW 45°				mm
	SIZE	A	R		
	1"	28.6	38.1		
	1 1/2"	36.5	57.2		
	2"	44.5	76.2		
	2 1/2"	52.4	95.25		
	3"	60.3	114.3		
	4"	79.4	152.4		

3A-7MP 夾三通	CLAMP TEE				mm
	SIZE	A	B		
	1/2"	101.6	50.8		
	3/4"	76.2	38.1		
	1"	120.6	60.3		
	1 1/2"	139.8	69.9		
	2"	177.8	88.9		
	2 1/2"	177.8	88.9		
	3"	190.6	95.3		
	4"	228.6	114.3		

3A-RMP 夾異徑三通	CLAMP TEE REDUCING				mm
	SIZE	A	B	C	
	1 1/2"	x 1"	139.8	69.9	66.7
	2"	x 1"	177.8	88.9	66.7
		x 1 1/2"	177.8	88.9	76.2
	2 1/2"	x 1 1/2"	177.8	88.9	82.6
		x 2"	177.8	88.9	95.3
	3"	x 1 1/2"	190.6	95.3	88.9
		x 2"	190.6	95.3	101.6
		x 2 1/2"	190.6	95.3	95.3
	4"	x 2"	228.6	114.3	114.3
		x 2 1/2"	228.6	114.3	104.8
		x 3"	228.6	114.3	104.8