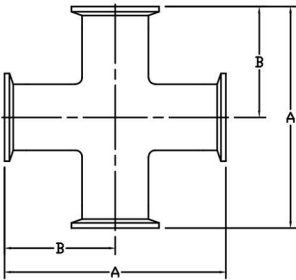
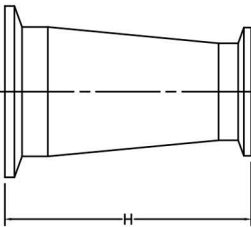
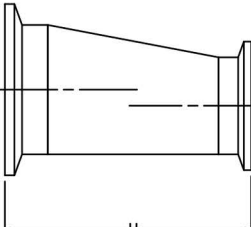


3A-9MP 夾十字通	CLAMP CROSS				mm
	SIZE	A	B		
	1"	120.6	60.3		
	1½"	139.8	69.9		
	2"	177.8	88.9		
	2½"	177.8	88.9		
	3"	190.6	95.3		
	4"	228.6	114.3		

3A 31-14MP 夾同心大小頭	CLAMP REDUCER w/welded tangent CONCENTRIC				mm
	SIZE		H		
	1"	x ½"	50.8		
		x ¾"	50.8		
	1½"	x 1"	76.2		
	2"	x 1"	127.0		
		x 1½"	76.2		
	2½"	x 1½"	127.0		
		x 2"	76.2		
	3"	x 1½"	177.8		
		x 2"	127.0		
		x 2½"	76.2		
	4"	x 2"	231.8		
		x 2½"	181.0		
x 3"		130.2			

3A 32-14MP 夾偏心大小頭	CLAMP REDUCER w/welded tangent ECCENTRIC				mm
	SIZE		H		
	1"	x ½"	50.8		
		x ¾"	50.8		
	1½"	x 1"	76.2		
	2"	x 1"	127.0		
		x 1½"	76.2		
	2½"	x 1½"	127.0		
		x 2"	76.2		
	3"	x 1½"	177.8		
		x 2"	127.0		
		x 2½"	76.2		
	4"	x 2"	231.8		
		x 2½"	181.0		
x 3"		130.2			