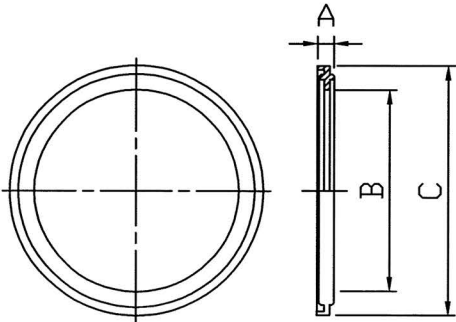
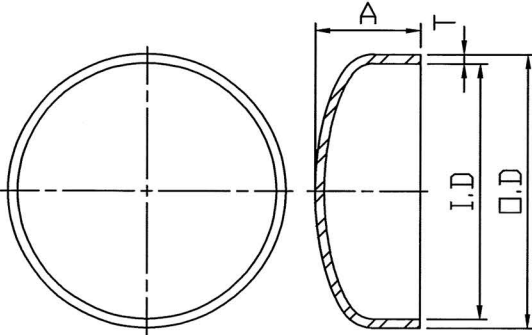


3A40B (夾接頭用) 有蓋墊片	Clamp Ferrule Gasket FLANGED mm			
	SIZE	A	B	C
	1"	5.15	22.1	50.4
	1 1/2"	5.15	34.8	50.4
	2"	5.15	47.5	63.9
	2 1/2"	5.15	60.2	77.4
	3"	5.15	72.9	90.9
	3 1/2"	5.15	85.1	106.0
	4"	5.15	97.4	118.9
	6"	5.15	146.9	166.88
	12"	5.15	298.0	319.3

3A-16W (對焊用) 盲蓋	WELD Cap mm			
	SIZE	O. D	I. D	t (thickness) A
	1"	25.4	22.1	1.65 9.53
	1 1/2"	38.1	34.8	1.65 14.29
	2"	50.8	47.5	1.65 19.05
	2 1/2"	63.5	60.2	1.65 25.4
	3"	76.2	72.9	1.65 31.75
	4"	101.6	97.38	2.1 38.1