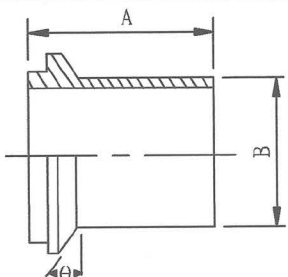
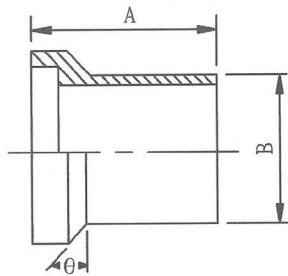
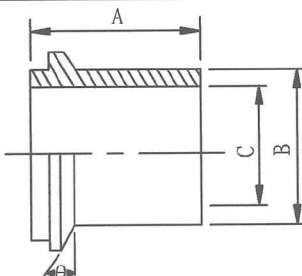
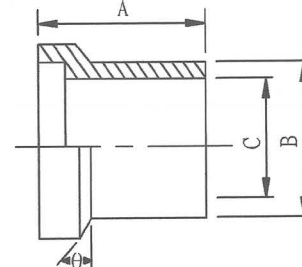


14WLI 公接環, 長	I-LINE Welding Ferrule MALE, LONG mm			
	SIZE	A	B	$\theta$
	1"	44.6	25.4	37°
	1.5"	51.8	38.1	37°
	2"	58.9	50.8	37°
	2.5"	63.4	63.5	37°
	3"	68.2	76.2	37°
	4"	76.1	101.6	37°

15WLI 母接環, 長	I-LINE Welding Ferrule FEMALE, LONG mm			
	SIZE	A	B	$\theta$
	1"	44.5	25.4	37°
	1.5"	51.6	38.1	37°
	2"	58.7	50.8	37°
	2.5"	63.5	63.5	37°
	3"	68.3	76.2	37°
	4"	76.2	101.6	37°

14WHI 加厚接環, 公	I-LINE Welding Ferrule MALE, HEAVY WALL mm				
	SIZE	A	B	C	$\theta$
	1"	38.1	31.8	22.1	37°
	1.5"	41.3	42.9	34.8	37°
	2"	44.5	57.2	47.5	37°
	2.5"	44.5	69.9	60.2	37°
	3"	46	84.1	72.9	37°
	4"	54	108	97.4	37°

15WHI 加厚接環, 母	I-LINE Welding Ferrule FEMALE, HEAVY WALL mm				
	SIZE	A	B	C	$\theta$
	1"	38.1	31.8	22.1	37°
	1.5"	41.3	42.9	34.8	37°
	2"	44.5	57.2	47.5	37°
	2.5"	44.5	69.9	60.2	37°
	3"	46	84.1	72.9	37°
	4"	54	108	97.4	37°