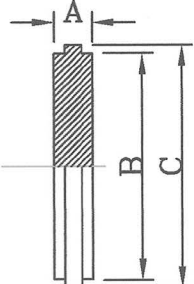
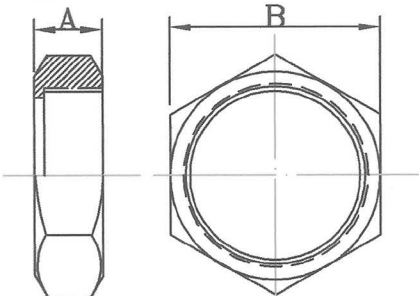
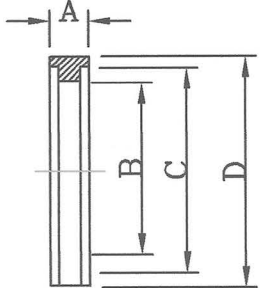


IDF16A IDF盲蓋	IDF BLANK LINER (IDF)			mm
	SIZE	A	B	C
	1"	11.5	29.2	33.8
	1 1/2"	11.5	42.7	47.0
	2"	11.5	56.2	60.5
	2 1/2"	11.5	69.9	74.0
	3"	11.5	82.6	87.5
	4"	13.0	108.7	114.5

IDF13H IDF六角螺母(母牙/内牙)	HEX NUT (IDF)		mm
	SIZE	A	B
	1"	30.0	46.0
	1 1/2"	30.0	61.0
	2"	30.0	76.0
	2 1/2"	30.0	91.0
	3"	30.0	106.5
	4"	38.0	138.0

IDF40 IDF墊片	IDF GASKET (IDF)				mm
	SIZE	A	B	C	D
	1"	7.0	23.0	29.0	32.0
	1 1/2"	7.0	35.7	42.5	46.0
	2"	7.0	47.8	56.0	59.0
	2 1/2"	7.0	59.5	69.0	72.5
	3"	7.0	72.3	82.0	86.0
	4"	7.0	97.6	108.5	114.0