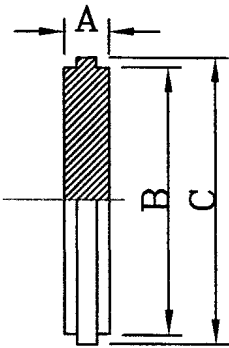
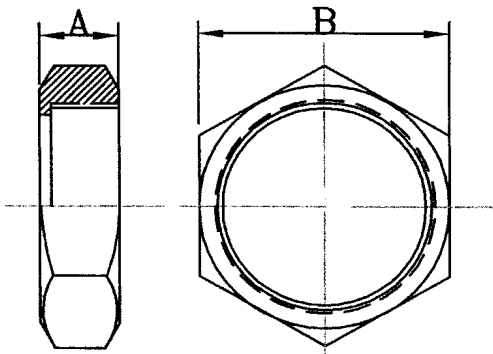
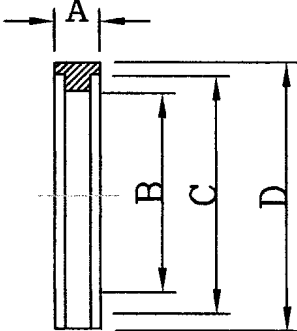


IDF16A 盲蓋	END CUP			
	SIZE	A	B	C
	1"	11.5	29.2	33.8
	1 1/2"	11.5	42.7	47.0
	2"	11.5	56.2	60.5
	2 1/2"	11.5	69.9	74.0
	3"	11.5	82.6	87.5
	4"	13.0	108.7	114.5

IDF13H 母牙	HEX NUT		
	SIZE	A	B
	1"	30.0	46.0
	1 1/2"	30.0	61.0
	2"	30.0	76.0
	2 1/2"	30.0	91.0
	3"	30.0	106.5
	4"	38.0	138.0

IDF40 墊片	GASKET				
	SIZE	A	B	C	D
	1"	7.0	23.0	29.0	32.0
	1 1/2"	7.0	35.7	42.5	46.0
	2"	7.0	47.8	56.0	59.0
	2 1/2"	7.0	59.5	69.0	72.5
	3"	7.0	72.3	82.0	86.0
	4"	7.0	97.6	108.5	114.0