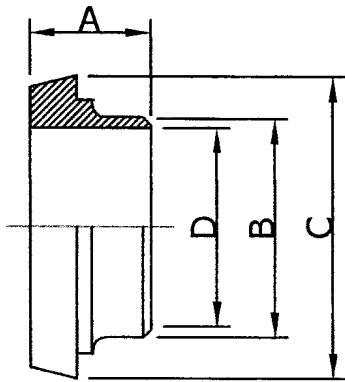


# DIN14

# 接頭

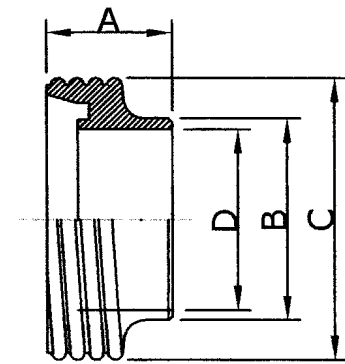


## WELD LINER

SIZE	A	B	C	D
10	17.0	15.0	22.0	10.0
15	17.0	21.0	28.0	16.0
20	18.0	25.0	36.0	20.0
25	22.0	31.0	44.0	26.0
32	25.0	37.0	50.0	32.0
40	26.0	43.0	56.0	38.0
50	28.0	55.0	68.0	50.0
65	32.0	72.0	86.0	66.0
80	37.0	87.0	100.0	81.0
100	44.0	106.0	120.0	100.0
125	34.0	132.0	149.0	125.0
150	37.0	157.0	175.0	150.0

# DIN15

# 接頭

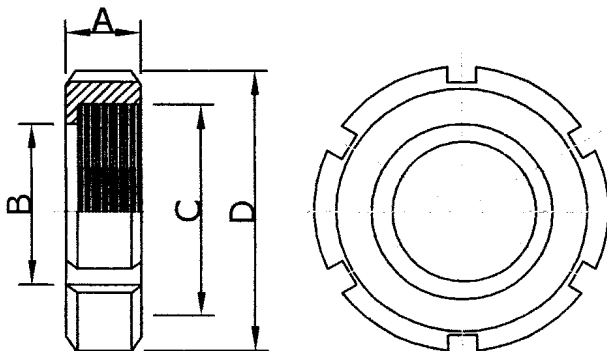


## WELD MALE

SIZE	A	B	C	D
10	21.0	15.0	28X1/8"	10.0
15	21.0	21.0	34X1/8"	16.0
20	24.0	25.0	44X1/6"	20.0
25	29.0	31.0	52X1/6"	26.0
32	32.0	37.0	58X1/6"	32.0
40	33.0	43.0	65X1/6"	38.0
50	35.0	55.0	78X1/6"	50.0
65	40.0	72.0	95X1/6"	66.0
80	45.0	87.0	110X1/4"	81.0
100	54.0	106.0	130X1/4"	100.0
125	46.0	132.0	160X1/4"	125.0
150	50.0	157.0	190X1/4"	150.0

# DIN13R

# 母牙



## SLOTTED NUT

SIZE	A	B	C	D
10	18.0	19.0	28X1/8"	38.0
15	18.0	25.0	34X1/8"	44.0
20	21.0	31.0	44X1/6"	54.0
25	21.0	36.0	52X1/6"	63.0
32	21.0	42.0	58X1/6"	70.0
40	21.0	49.0	65X1/6"	78.0
50	22.0	62.0	78X1/6"	92.0
65	25.0	80.0	95X1/6"	112.0
80	30.0	94.0	110X1/4"	127.0
100	31.0	115.0	130X1/4"	148.0
125	35.0	138.0	160X1/4"	178.0
150	40.0	164.0	190X1/4"	210.0