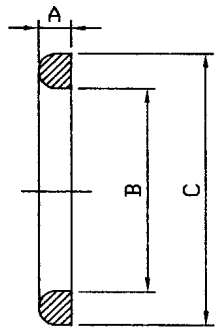
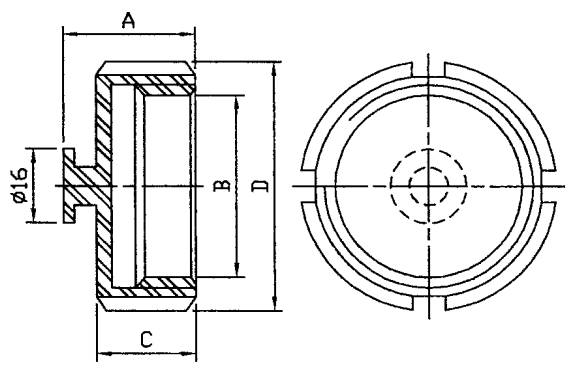


DIN40 墊片	GASKET			
	SIZE	A	B	C
	10	5.0	12.0	20.0
	15	5.0	18.0	26.0
	20	5.0	23.0	33.0
	25	5.0	30.0	40.0
	40	5.0	42.0	52.0
	50	5.0	54.0	64.0
	65	5.0	71.0	81.0
	80	5.0	85.0	95.0
	100	6.0	104.0	114.0
	125	6.0	130.0	142.0
	150	6.0	155.0	167.0



DIN13AH 有蓋圓螺母	BLANK ROUND NUT					
	SIZE	A	B	C	D	SLOT
	10	25	25.2	18	38	4
	15	25	31.2	18	44	4
	20	28	40.3	21	54	4
	25	28	48.3	21	63	4
	32	28	54.3	21	70	4
	40	28	61.3	21	78	4
	50	29	74.3	22	92	4
	65	32	91.3	25	112	6
	80	37	105	30	127	6
	90	37	115	30	138	6
	100	38	125	31	148	6
	125	42	155	35	178	6
	150	47	185	40	210	6



DIN16A 盲蓋	DIN BLANK CAP					
	SIZE	A	B	C	D	E
	10	9	22	18	6	3
	15	9	28	24	6	3
	20	11	36	30	8	3
	25	13	44	35	10	3
	32	13	50	41	10	3
	40	13	56	48	10	3
	50	14	68	61	11	3
	65	16	86	79	12	4
	80	16	100	93	12	4
	100	20	120	114	15	5
	125	22	149	137	17	5
	150	24	175	163	18	6

