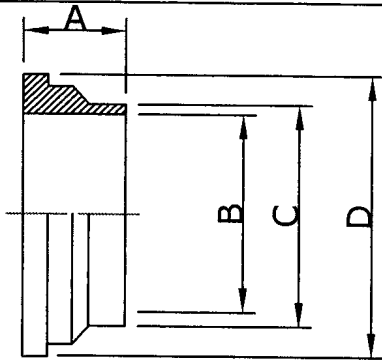


SMS14

長接環

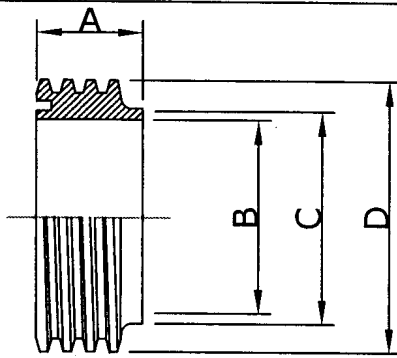


WELD LINER

SIZE	A	B	C	D
1"	15.5	22.5	25.0	35.5
1 1/2"	16.0	35.5	38.0	55.0
2"	17.0	48.5	51.0	65.0
2 1/2"	17.0	60.5	63.5	80.0
3"	19.0	72.9	76.1	93.0
4"	19.0	100.0	104.0	118.0
4" (SMS14EB)	19.0	97.6	101.6	118.0

SMS15

牙口

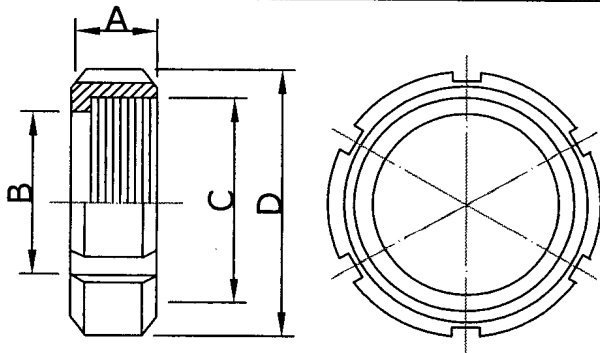


WELD MALE

SIZE	A	B	C	D
1"	19.0	22.5	25.0	40X1/6
1 1/2"	23.0	35.5	38.0	60X1/6
2"	23.0	48.5	51.0	70X1/6
2 1/2"	27.0	60.5	63.5	85X1/6
3"	27.0	72.9	76.1	98X1/6
4"	30.0	100.0	104.0	125X1/4
4" (SMS15EB)	19.0	97.6	101.6	125X1/4

SMS13R

母牙

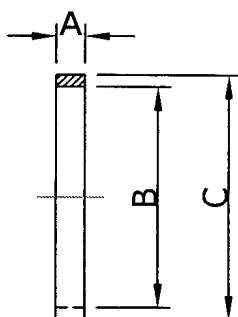


SLOTTED NUT

SIZE	A	B	C	D
1"	19.0	32.2	40X1/6	51.0
1 1/2"	23.0	48.5	60X1/6	74.0
2"	24.0	61.0	70X1/6	84.0
2 1/2"	28.0	74.0	85X1/6	100.0
3"	30.0	87.0	98X1/6	114.0
4"	31.0	113.0	125X1/4	138.0

SMS40

墊片



GASKET

SIZE	A	B	C
1"	5.5	25.0	32.1
1 1/2"	5.5	38.0	48.1
2"	5.5	51.0	61.1
2 1/2"	5.5	63.5	73.6
3"	5.5	76.0	86.1
4"	5.5	104.0	116.2