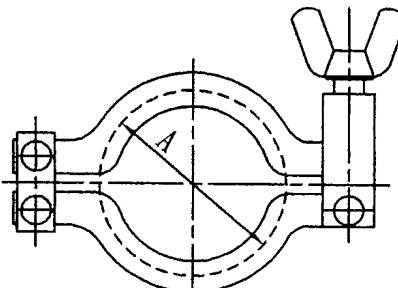
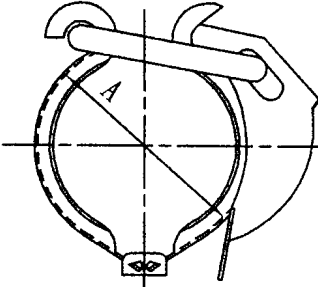
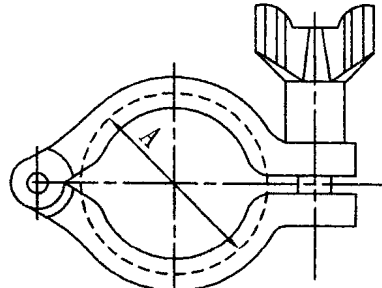
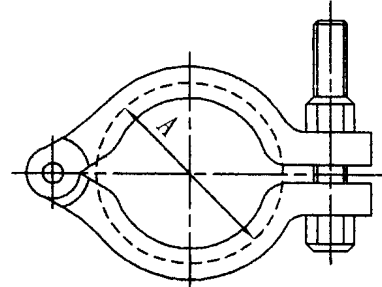


| 13MAH 中型管束 | MEDIUM CLAMP (mm) | |
|---|-------------------|-------|
| | SIZE | A |
|  | 1-1/2" | 54.4 |
| | 2" | 66.5 |
| | 2 1/2" | 79.8 |
| | 3" | 93.3 |
| | 3 1/2" | 109.0 |
| | | |

| 13HLA 輕型管束 | LIGHTWEIGHT CLAMP (mm) | |
|--|------------------------|-------|
| | SIZE | A |
|  | 1-1/2" | 54.4 |
| | 2" | 66.5 |
| | 2 1/2" | 79.8 |
| | 3" | 93.3 |
| | 4" | 121.3 |
| | | |

| 13JO 管束 | HDI CLAMP <WITH WINGNUT> (mm) | |
|---|-------------------------------|-------|
| | SIZE | A |
|  | 1-1/2" | 63.4 |
| | 2" | 75.4 |
| | 2 1/2" | 91.2 |
| | 3" | 105.6 |
| | 4" | 129.8 |
| | | |

| 13U 管束 | HDI CLAMP WITH BOLTED (mm) | |
|---|----------------------------|-------|
| | SIZE | A |
|  | 1-1/2" | 63.4 |
| | 2" | 75.4 |
| | 2 1/2" | 91.2 |
| | 3" | 105.6 |
| | 4" | 129.8 |
| | | |