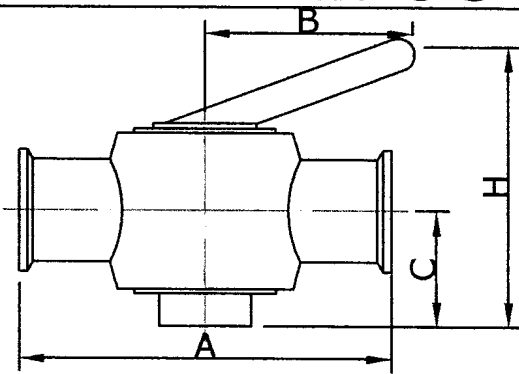


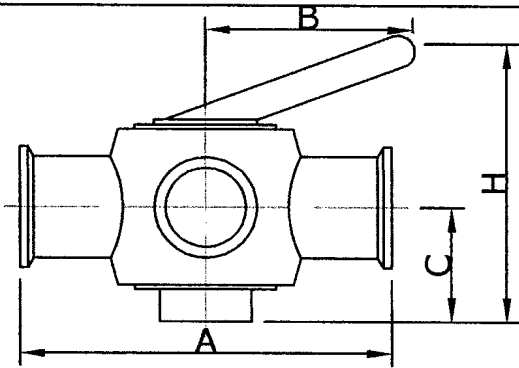
PLV-2T-C-R PLV-2T-C-S



2WAY-CLAMP-PLUG VALVE

SIZE	A	B	C	H
1"	115.9	117.0	58.3	128.4
1 1/2"	147.6	142.7	61.0	163.4
2"	173.0	144.2	72.4	178.3
2 1/2"	209.6	150.6	86.2	223.4
3"	239.7	180.7	90.6	241.4

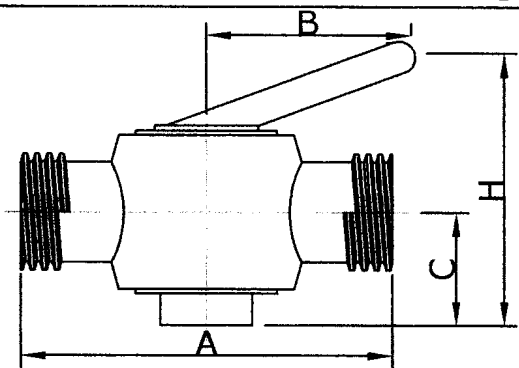
PLV-3T-C-R PLV-3T-C-S



3WAY-CLAMP-PLUG VALVE

SIZE	A	B	C	H
1"	115.9	117.0	58.3	128.4
1 1/2"	147.6	142.7	61.0	163.4
2"	173.0	144.2	72.4	178.3
2 1/2"	209.6	150.6	86.2	223.4
3"	239.7	180.7	90.6	241.4

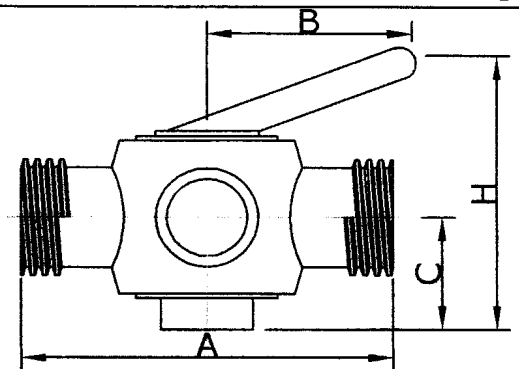
PLV-2T-M-R PLV-2T-M-S



2WAY-BEVEL SEAT-PLUG VALVE

SIZE	A	B	C	H
1"	125.5	117.0	58.3	128.4
1 1/2"	157.2	142.7	61.0	163.4
2"	184.0	144.2	72.4	178.3
2 1/2"	227.0	150.6	86.2	223.4
3"	265.2	180.7	90.6	241.4

PLV-3T-M-R PLV-3T-M-S



3WAY-BEVEL SEAT-PLUG VALVE

SIZE	A	B	C	H
1"	125.5	117.0	58.3	128.4
1 1/2"	157.2	142.7	61.0	163.4
2"	184.0	144.2	72.4	178.3
2 1/2"	227.0	150.6	86.2	223.4
3"	265.2	180.7	90.6	241.4