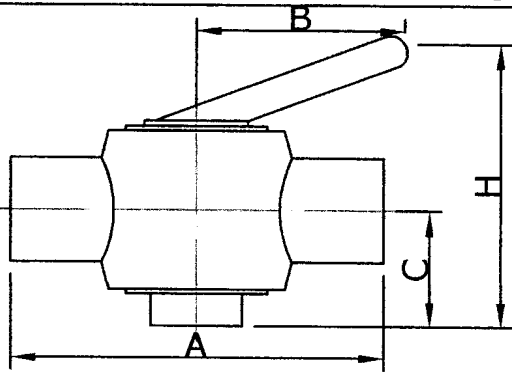


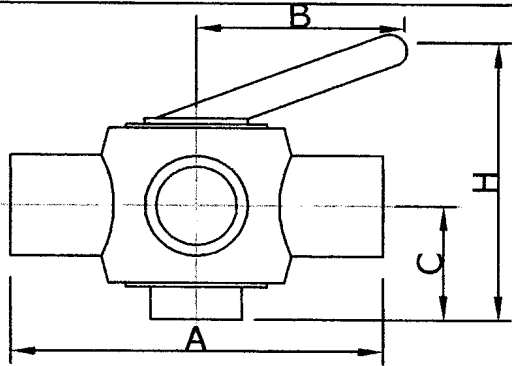
PLV-2T-W-R PLV-2T-W-S



2WAY-BUTT WELD-PLUG VALVE

SIZE	A	B	C	H
1"	184.2	117.0	58.3	128.4
1 1/2"	198.4	142.7	61.0	164.4
2"	223.8	144.2	72.4	178.3
2 1/2"	260.4	150.6	86.2	223.4
3"	290.5	180.7	90.6	241.4

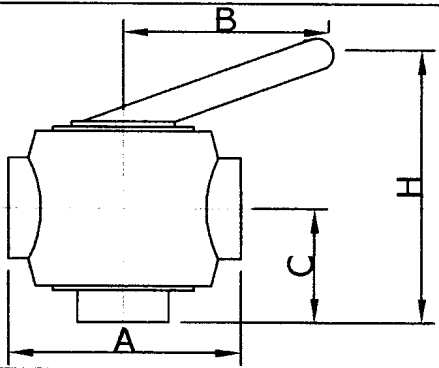
PLV-3T-W-R PLV-3T-W-S



3WAY-BUTT WELD-PLUG VALVE

SIZE	A	B	C	H
1"	184.2	117.0	58.3	128.4
1 1/2"	198.4	142.7	61.0	164.4
2"	223.8	144.2	72.4	178.3
2 1/2"	260.4	150.6	86.2	223.4
3"	290.5	180.7	90.6	241.4

(short) PLV-2T-W-R (short) PLV-2T-W-S

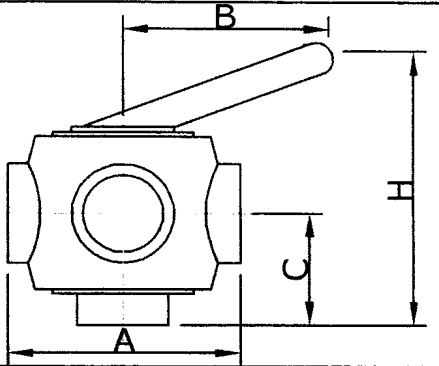


2WAY-BUTT WELD-PLUG VALVE

For welding on Male End

SIZE	A	B	C	H
1"	90.5	117.0	58.3	128.4
1 1/2"	122.2	142.7	61.0	164.4
2"	147.6	144.2	72.4	178.3
2 1/2"	184.2	150.6	86.2	223.4
3"	214.4	180.7	90.6	241.4

(short) PLV-3T-W-R (short) PLV-3T-W-S



3WAY-BUTT WELD-PLUG VALVE

For welding on Male End

SIZE	A	B	C	H
1"	90.5	117.0	58.3	128.4
1 1/2"	122.2	142.7	61.0	164.4
2"	147.6	144.2	72.4	178.3
2 1/2"	184.2	150.6	86.2	223.4
3"	214.4	180.7	90.6	241.4