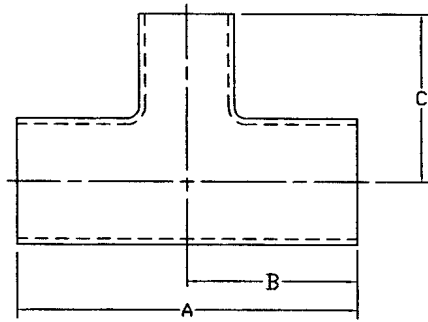


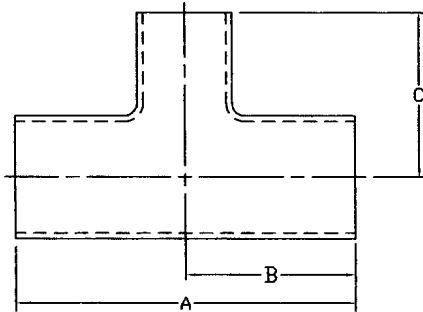
3A

7RWW 焊異徑三通



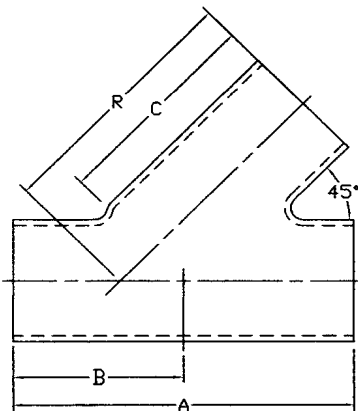
REDUCING TEE		(MM)		
SIZE		A	B	C
1"	x 1/2"	95.2	47.6	47
	x 3/4"	95.2	47.6	47
1 1/2"	x 1/2"	114.3	57.15	54.1
	x 3/4"	114.3	57.15	54.1
	x 1"	84.1	42.05	34.9
2"	x 1"	104.7	52.35	41.6
	x 1 1/2"	104.7	52.35	48.4
2 1/2"	x 1 1/2"	119	59.5	55.3
	x 2"	119	59.5	59.5
3"	x 2"	131.8	65.9	65.9
	x 2 1/2"	131.8	65.9	65.9
4"	x 2"	174.6	87.3	87.3
	x 2 1/2"	174.6	87.3	87.3
	x 3"	174.6	87.3	87.3

7RW 焊異徑三通



REDUCING TEE		(MM)		
SIZE		A	B	C
1 1/2"	x 1"	114.4	57.2	54.0
2"	x 1"	152.4	76.2	60.3
	x 1 1/2"	152.4	76.2	63.5
2 1/2"	x 1 1/2"	152.4	76.2	69.9
	x 2"	152.4	76.2	82.6
3"	x 1 1/2"	165.2	82.6	76.2
	x 2"	165.2	82.6	88.9
	x 2 1/2"	165.2	82.6	82.6
4"	x 2"	196.8	98.4	101.6
	x 2 1/2"	196.8	98.4	95.3
	x 3"	196.8	98.4	95.3

7YW 斜焊三通



REDUCING TEE		(MM)				
SIZE	T	A	B	C	R	
1"	1.65	95.2	47.6	67.3	88	
1 1/2"	1.65	114.4	57.2	80.9	111	
2"	1.65	152.4	76.2	107.7	146.5	