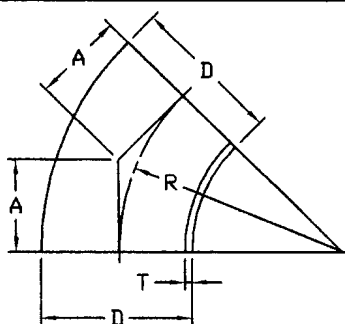


IDF

45度焊彎

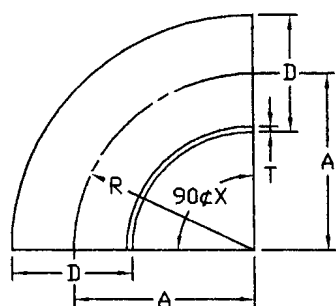
T-5



IDF Welding Bend 45° T-5

SIZE	A	D	T	R
1"	15.8	25.4	1.2	38.1
1 1/2"	23.8	38.1	1.2	57.2
2"	31.6	50.8	1.5	76.2
2 1/2"	42	63.5	2.0	101.6
3"	52.6	76.3	2.0	127
4"	73.6	101.6	2.0	177.8

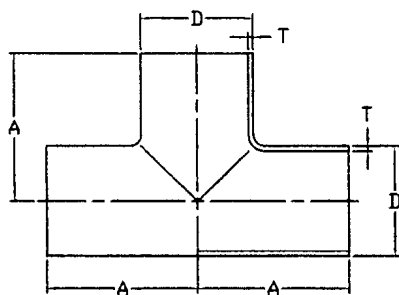
90度焊彎 D-1



IDF Welding Bend 90° D-1

SIZE	A	D	T	R
1"	34	25.4	1.2	33
1 1/2"	49	38.1	1.2	45.5
2"	61	50.8	1.5	57.5
2 1/2"	84	63.5	2.0	75
3"	89	76.3	2.0	75
3 1/2"	103.5	89.1	2.0	103.5
4"	133.4	101.6	2.0	133.4

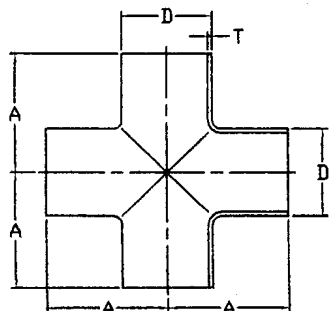
焊三通 D-8



IDF TEE D-8

SIZE	A	D	T
1"	34	25.4	1.2
1 1/4"	34	31.8	1.2
1 1/2"	49	38.1	1.2
2"	61	50.8	1.5
2 1/2"	84	63.5	2.0
3"	89	76.3	2.0
3 1/2"	103.5	89.1	2.0
4"	133.4	101.6	2.0

焊十字通



IDF CROSS

SIZE	A	D	T
1"	34	25.4	1.2
1 1/4"	34	31.8	1.2
1 1/2"	49	38.1	1.2
2"	61	50.8	1.5
2 1/2"	84	63.5	2.0
3"	89	76.3	2.0
3 1/2"	103.5	89.1	2.0
4"	133.4	101.6	2.0