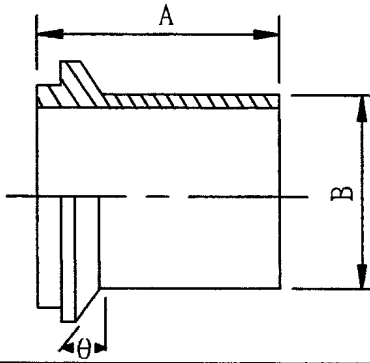


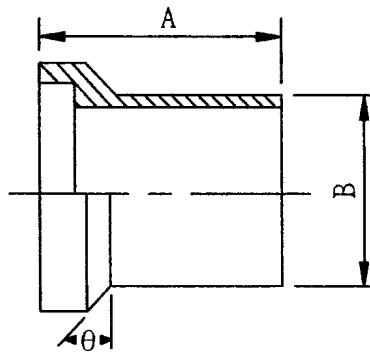
14WLI



TANK SPUD(LIGHT) mm

SIZE	A	B	θ
1"	44.6	25.4	37°
1.5"	51.8	38.1	37°
2"	58.9	50.8	37°
2.5"	63.4	63.5	37°
3"	68.2	76.2	37°
4"	76.1	101.6	37°

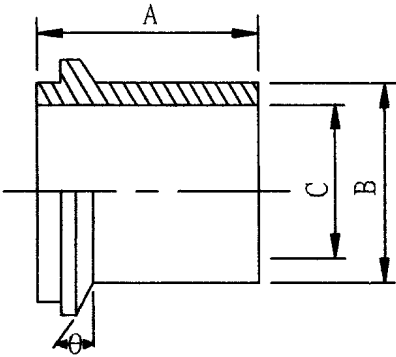
15WLI



TANK SPUD(LIGHT) mm

SIZE	A	B	θ
1"	44.5	25.4	37°
1.5"	51.6	38.1	37°
2"	58.7	50.8	37°
2.5"	63.5	63.5	37°
3"	68.3	76.2	37°
4"	76.2	101.6	37°

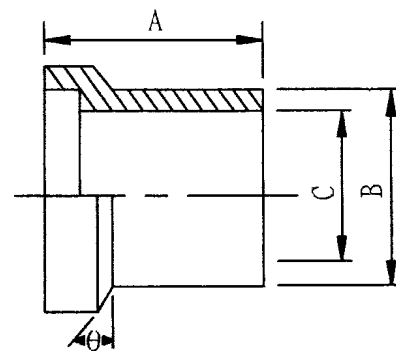
14WHI



TANK SPUD HEAVY mm

SIZE	A	B	C	θ
1"	38.1	31.8	22.1	37°
1.5"	41.3	42.9	34.8	37°
2"	44.5	57.2	47.5	37°
2.5"	44.5	69.9	60.2	37°
3"	46	84.1	72.9	37°
4"	54	108	97.4	37°

15WHI



TANK SPUD HEAVY mm

SIZE	A	B	C	θ
1"	38.1	31.8	22.1	37°
1.5"	41.3	42.9	34.8	37°
2"	44.5	57.2	47.5	37°
2.5"	44.5	69.9	60.2	37°
3"	46	84.1	72.9	37°
4"	54	108	97.4	37°