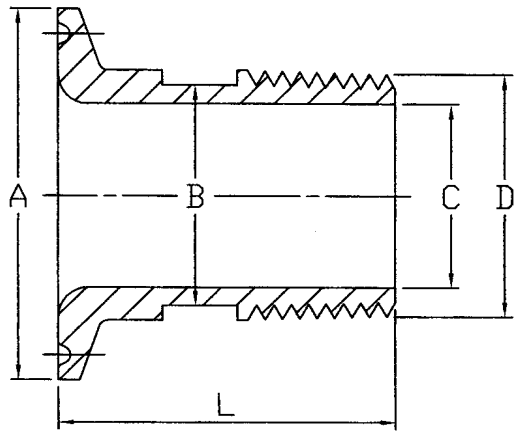
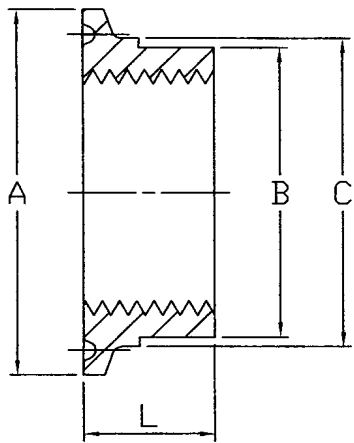


PT 外牙接環



SIZE	A	B	C	D	L
¾"×PT½"	25.2	17	5	PT½"(10.5)	30
¾"×PT¼"	25.2	17	9	PT¼"(13.8)	30
¾"×PT½"	25.2	19	16	PT½"(21.7)	40
¾"×PT¾"	25.2	19	16	PT¾"(27.2)	40
1½"×PT½"	50.4	22	5	PT½"(10.5)	30
1½"×PT¼"	50.4	22	7	PT¼"(13.8)	30
1½"×PT¾"	50.4	22	10	PT¾"(17.3)	30
1½"×PT½"	50.4	22	17	PT½"(21.7)	45
1½"×PT¾"	50.4	25	22.1	PT¾"(27.2)	45
1½"×PT1"	50.4	30	25	PT1"(34.0)	45
1½"×PT1¼"	50.4	/	34.8	PT1¼"(42.7)	45
1½"×PT1½"	50.4	42.8	41.9	PT1½"(48.6)	50
2"×PT1½"	63.9	/	42	PT1½"(48.6)	50
2½"×PT2"	77.4	/	50	PT2"(60.5)	50
3"×PT2½"	90.9	/	69	PT2½"(76.3)	50
3½"×PT3"	106.0	/	80	PT3"(89.1)	50

PS 內牙接環



SIZE	A	B	C	L
¾"×PS¼"	25.2	17	19.05	12.7
1½"×PS¼"	50.4	40	42.6	17.5
1½"×PS¾"	50.4	40	42.6	17.5
1½"×PS½"	50.4	40	42.6	17.5
1½"×PS¾"	50.4	40	42.6	17.5
1½"×PS1"	50.4	40	42.6	17.5
2"×PS1¼"	63.9	/	55.7	17.5
2"×PS1½"	63.9	/	55.7	17.5
2½"×PS2"	77.4	/	68.8	17.5
3"×PS2½"	90.9	/	81.9	17.5
4"×PS3"	118.9	/	108.1	17.5
SIZE	A	B	C	L
1½"×PS1¼"	50.4	42	50	43
1½"×PS1½"	50.4	38	54	41