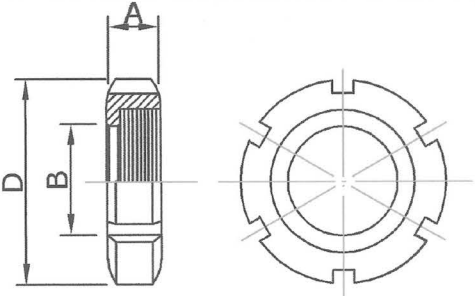
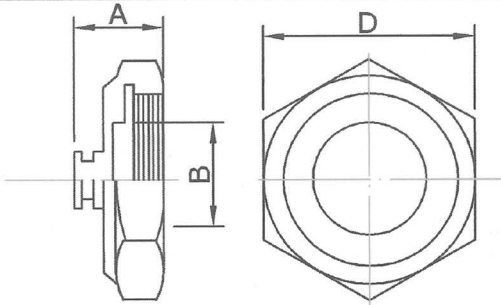
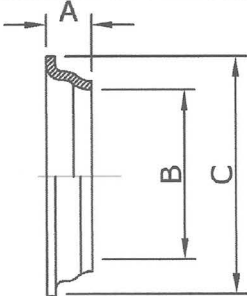
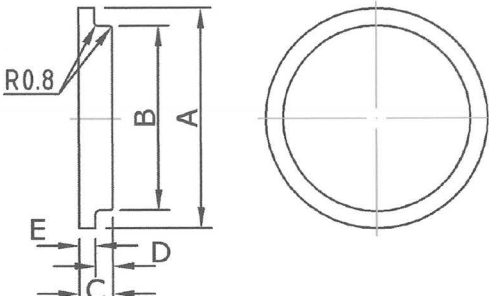


RJT13R RJT圓螺母(母牙/內牙)	RJT SLOTTED NUT (for RJT/BSM/CIP Flat Face) mm				
	SIZE	A	B	D	Threads / Inch
	1"	22.2	33.3	58.5	8
	1 1/2"	22.2	46.0	74.0	8
	2"	22.2	58.7	85.5	6
	2 1/2"	22.2	71.4	98.5	6
	3"	22.2	84.1	111.6	6
	4"	22.2	109.5	139.0	6
	6"	23.5	162.5	197.0	6

RJT13AH 六角盲螺帽 (母牙/內牙)	BLANK HEX NUT (for RJT/BSM/CIP Flat Face) mm				
	SIZE	A	B	D	Threads / Inch
	1"	37.7	26.8	50.8	8
	1 1/2"	37.7	39.5	65.0	8
	2"	37.7	52.2	79.3	6
	2 1/2"	37.7	64.9	92.0	6
	3"	37.7	77.6	104.7	6
	4"	37.7	103.0	130.0	6

RJT14S 焊無牙短接頭	Weld Liner SHORT mm			
	SIZE	A	B	C
	1"	9.5	22.2	41.3
	1 1/2"	9.5	34.9	54.0
	2"	9.5	47.3	56.7
	2 1/2"	9.5	60.3	79.4
	3"	9.5	73.0	92.1
	4"	13.3	97.5	117.5

RJT16A 盲蓋	BSM BLANK CAP mm					
	SIZE	A	B	C	D	E
	1"	41.28	32.51	8.17	4.2	3.97
	1 1/2"	53.98	45.21	8.17	4.2	3.97
	2"	66.68	57.91	8.17	4.2	3.97
	2 1/2"	79.25	70.61	8.17	4.2	3.97
	3"	92.08	83.31	8.17	4.2	3.97
	4"	117.48	108.71	8.17	4.2	3.97
	6"	168.28	159.51	8.1	4.0	4.1

\*\*\* RJT16A BLANK CAP used for blanking the union, and can be used in Hex or Slotted Nut