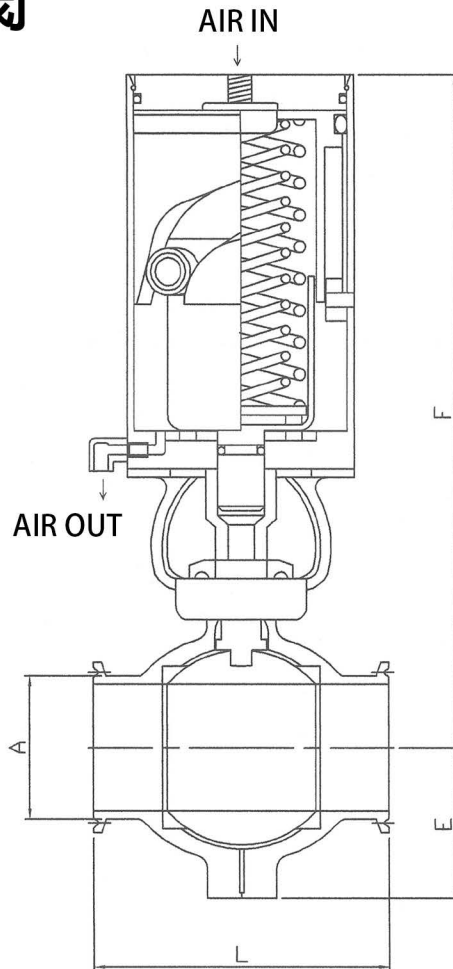


PNEUMATIC BALL VALVE BOV-C-AIR

3A Weld / Tri-Clamp Ferrule Connections, with Vertical Pneumatic Actuator

氣動球閥



| A (SIZE) | | L (Length of Connection-to-Connection) | | E | F |
|-------------|-------|---|-------|------|---|
| inch | mm | Weld | Clamp | | |
| 1" | 25.4 | 95 | 95 | 38 | 234.8 |
| 1.5" | 38.1 | 101 | 101 | 47 | 244.8 |
| 2" | 50.8 | 110 | 110 | 56 | 253.8 |
| 2.5" | 63.5 | 124 | 124 | 65.5 | 263.5 |
| 3" | 76.2 | 143 | 143 | 75.5 | *** 3"-4"球閥 建議使用橫式氣缸 |
| 4" | 101.6 | 183.6 | 183.6 | 91.5 | *** Horizontal Pneumatic Actuators are recommended to use for 3" - 4" Ball Valves |