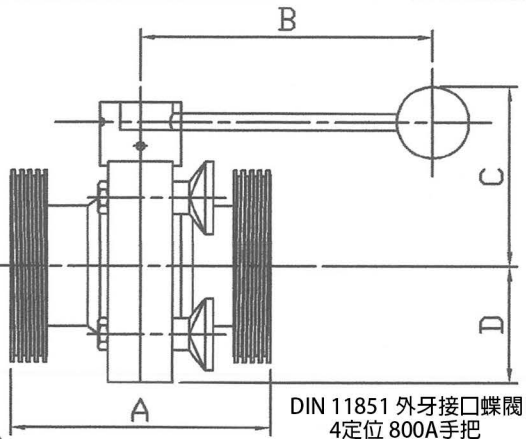


Connection : DIN 11851 Threaded Male

unit : mm

**BFV-DIN15** Butterfly Valve DIN15 Male Ends with 4 position Handle 800A

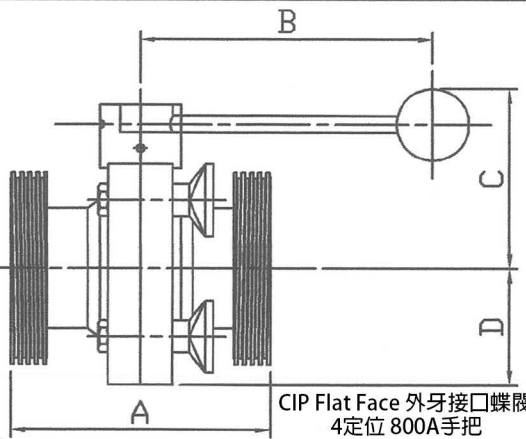


SIZE	A	B	C	D
1"	105.6	110	74	39
1 1/2"	113.6	110	74	39
2"	122.4	110	83.5	49.5
2 1/2"	134	110	93	58.5
3"	152	159	98	66
4"	187.4	159	118	84.6

Connection : CIP FLAT FACE Threaded Male

unit : mm

**BFV-CIP15** Butterfly Valve CIP15 Male Ends with 4 position Handle 800A

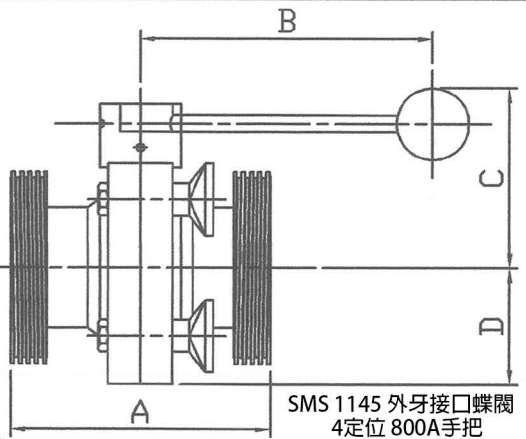


SIZE	A	B	C	D
1"	92	110	74	39
1 1/2"	92	110	74	39
2"	96.8	110	83.5	49.5
2 1/2"	98.4	110	93	58.5
3"	106.4	159	98	66
4"	123.8	159	118	84.6

Connection : SMS 1145 Threaded Male

unit : mm

**BFV-SMS15** Butterfly Valve SMS15 Male Ends with 4 position Handle 800A



SIZE	A	B	C	D
1"	85.6	110	74	39
1 1/2"	93.6	110	74	39
2"	98.4	110	83.5	49.5
2 1/2"	108	110	93	58.5
3"	116	159	98	66
4"	117.4	159	118	84.6