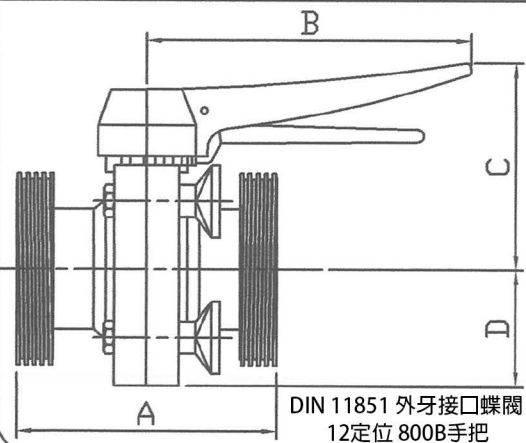


Connection : DIN 11851 Threaded Male

unit : mm

BFV-DIN15 Butterfly Valve DIN15 Male Ends
with 12 position Handle 800B

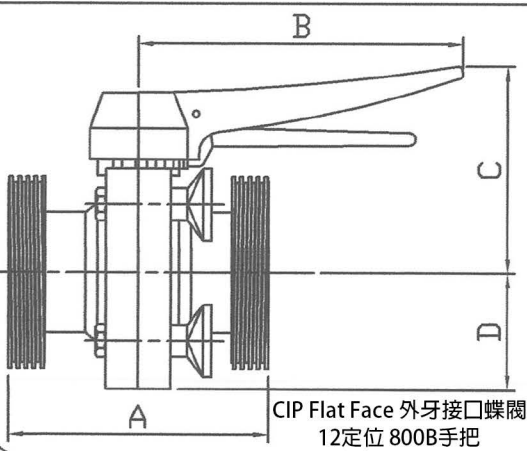


| SIZE | A | B | C | D |
|--------|-------|-----|-------|------|
| 1" | 105.6 | 168 | 87.5 | 39 |
| 1 1/2" | 113.6 | 168 | 87.5 | 39 |
| 2" | 122.4 | 168 | 97 | 49.5 |
| 2 1/2" | 134 | 168 | 106.5 | 58.5 |
| 3" | 152 | 168 | 111.5 | 66 |
| 4" | 187.4 | 168 | 131.5 | 84.6 |

Connection : CIP FLAT FACE Threaded Male

unit : mm

BFV-CIP15 Butterfly Valve CIP15 Male Ends
with 12 position Handle 800B

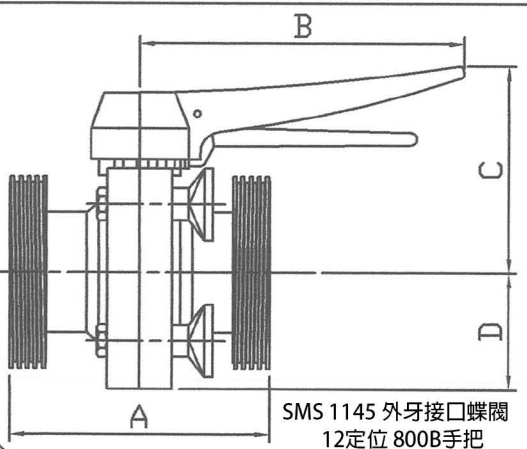


| SIZE | A | B | C | D |
|--------|-------|-----|-------|------|
| 1" | 92 | 168 | 87.5 | 39 |
| 1 1/2" | 92 | 168 | 87.5 | 39 |
| 2" | 96.8 | 168 | 97 | 49.5 |
| 2 1/2" | 98.4 | 168 | 106.5 | 58.5 |
| 3" | 106.4 | 168 | 111.5 | 66 |
| 4" | 123.8 | 168 | 131.5 | 84.6 |

Connection : SMS 1145 Threaded Male

unit : mm

BFV-SMS15 Butterfly Valve SMS15 Male Ends
with 12 position Handle 800B



| SIZE | A | B | C | D |
|--------|-------|-----|-------|------|
| 1" | 85.6 | 168 | 87.5 | 39 |
| 1 1/2" | 93.6 | 168 | 87.5 | 39 |
| 2" | 98.4 | 168 | 97 | 49.5 |
| 2 1/2" | 108 | 168 | 106.5 | 58.5 |
| 3" | 116 | 168 | 111.5 | 66 |
| 4" | 117.4 | 168 | 131.5 | 84.6 |