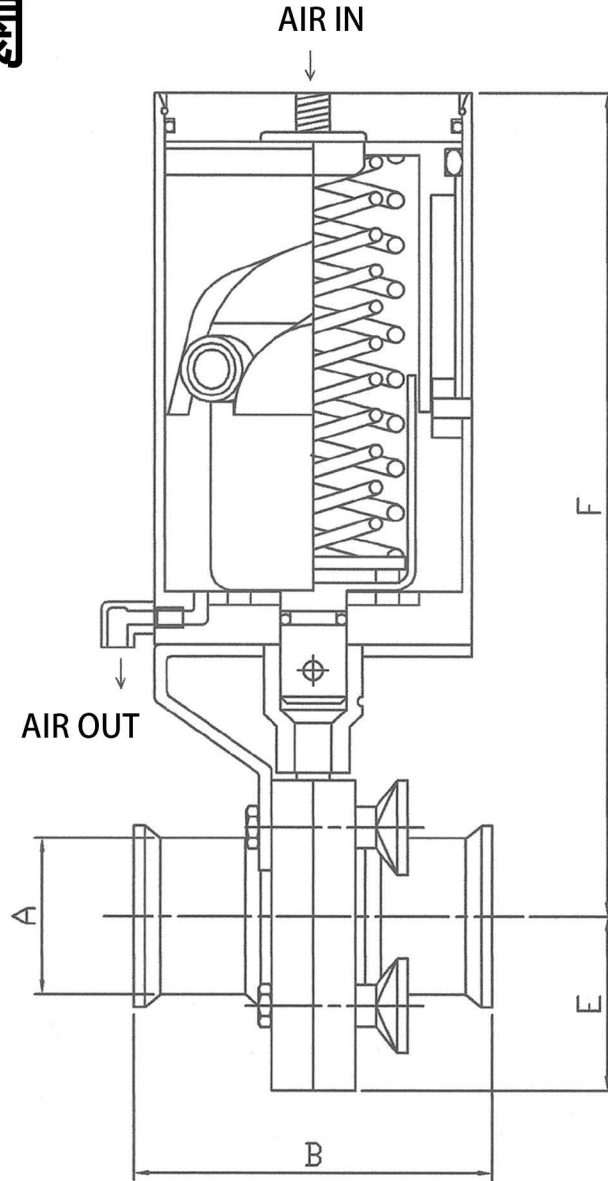


PNEUMATIC BUTTERFLY VALVE BFV-C-AIR

3A Weld / Tri-Clamp / Bevel Seat / IDF / RJT/BSM/ CIP Flat Face / DIN 11851 / SMS 1145 Threaded Male 外牙接口

氣動蝶閥



A (SIZE)		B (Length of Connection-to-Connection)						E	F
inch	mm	Weld	Clamp	IDF	DIN 11851	CIP Flat Face	SMS 1145		
1"	25.4	47.6	89	89	105.6	92	85.6	39	237
1.5"	38.1	47.6	89	89	113.6	92	93.6	39	237
2"	50.8	52.4	95.2	95.2	122.4	96.8	98.4	49.5	246
2.5"	63.5	54	96.8	96.8	134	98.4	108	58.5	256
3"	76.2	62	104.8	104.8	152	106.4	116	66	266
4"	101.6	79.4	122.2	122.2	187.4	123.8	117.4	84.6	286