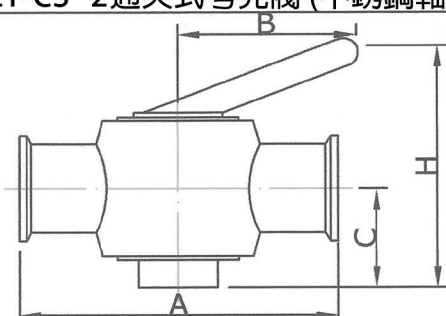
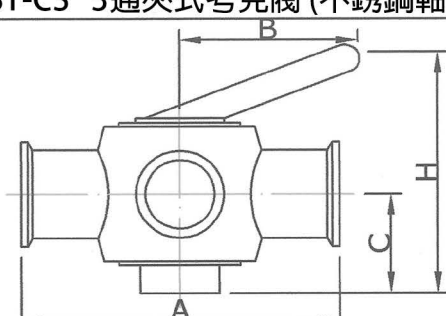
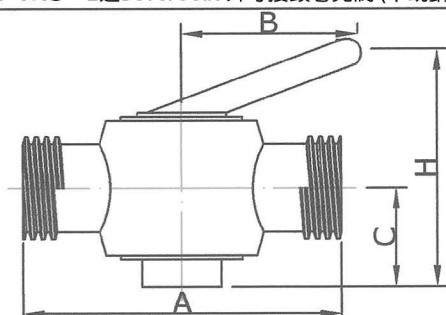
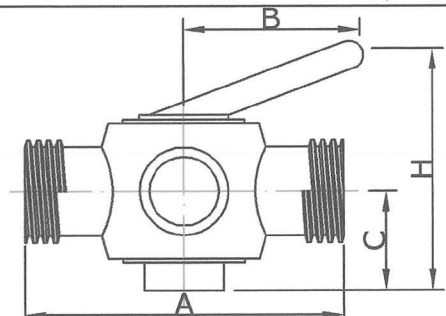


PLV-2T-CR 2通夾式考克閥 (橡膠軸) PLV-2T-CS 2通夾式考克閥 (不銹鋼軸)	2 Way Plug Valve Clamp Ends				Rubber Plug SS Plug	mm
	SIZE	A	B	C	H	
	1"	115.9	117.0	58.3	128.4	
	1 1/2"	147.6	142.7	61.0	163.4	
	2"	173.0	144.2	72.4	178.3	
	2 1/2"	209.6	150.6	86.2	223.4	
	3"	239.7	180.7	90.6	241.4	

PLV-3T-CR 3通夾式考克閥 (橡膠軸) PLV-3T-CS 3通夾式考克閥 (不銹鋼軸)	3 Way Plug Valve Clamp Ends				Rubber Plug SS Plug	mm
	SIZE	A	B	C	H	
	1"	115.9	117.0	58.3	128.4	
	1 1/2"	147.6	142.7	61.0	163.4	
	2"	173.0	144.2	72.4	178.3	
	2 1/2"	209.6	150.6	86.2	223.4	
	3"	239.7	180.7	90.6	241.4	

PLV-2T-MR 2通Bevel Seat 外牙接頭考克閥 (橡膠軸) PLV-2T-MS 2通Bevel Seat 外牙接頭考克閥 (不銹鋼軸)	2 Way Plug Valve Bevel Seat Male Ends				Rubber Plug SS Plug	mm
	SIZE	A	B	C	H	
	1"	125.5	117.0	58.3	128.4	
	1 1/2"	157.2	142.7	61.0	163.4	
	2"	184.0	144.2	72.4	178.3	
	2 1/2"	227.0	150.6	86.2	223.4	
	3"	265.2	180.7	90.6	241.4	

PLV-3T-MR 3通Bevel Seat 外牙接頭考克閥 (橡膠軸) PLV-3T-MS 3通Bevel Seat 外牙接頭考克閥 (不銹鋼軸)	3 Way Plug Valve Bevel Seat Male Ends				Rubber Plug SS Plug	mm
	SIZE	A	B	C	H	
	1"	125.5	117.0	58.3	128.4	
	1 1/2"	157.2	142.7	61.0	163.4	
	2"	184.0	144.2	72.4	178.3	
	2 1/2"	227.0	150.6	86.2	223.4	
	3"	265.2	180.7	90.6	241.4	